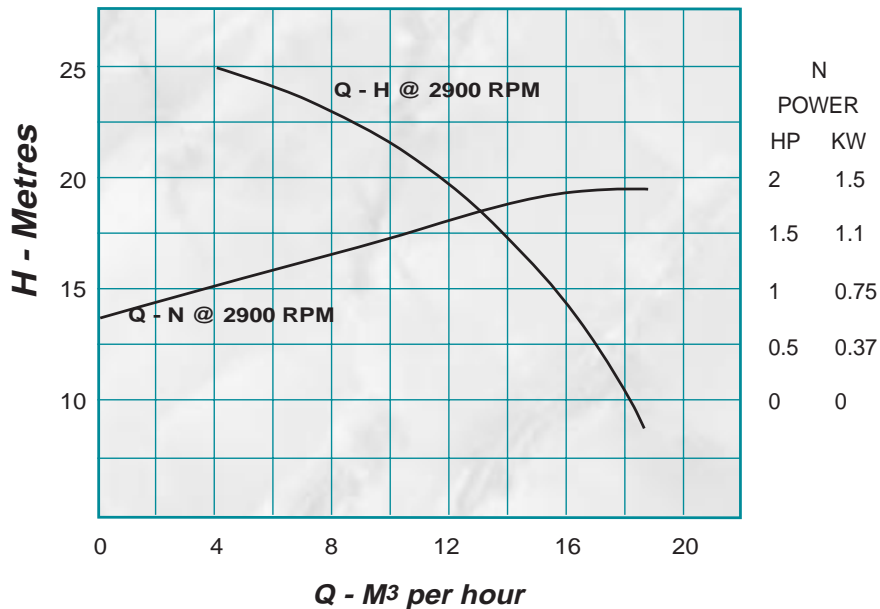




## 1.5 TC-24 SELF PRIMING PUMP

### Self Priming Pump

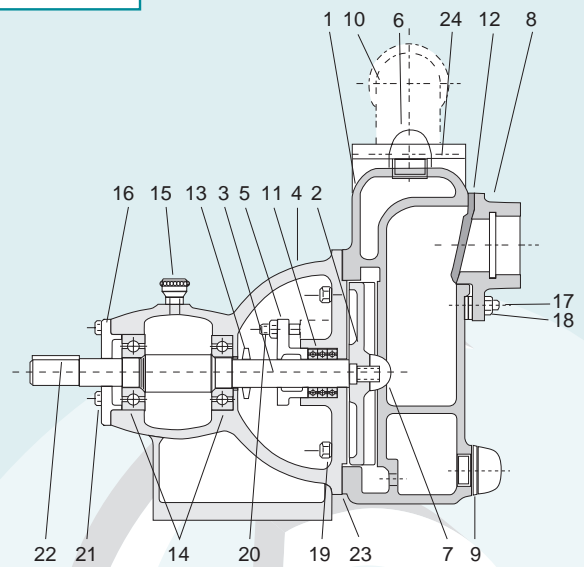
1 1/2 TC-24 Performance Curves



1.5 TC-24

#### PARTS LIST

No.	PART NAME	QTY	No.	PART NAME	QTY
1	CASING	1	13	WATER THROWER	1
2	IMPELLER	1	14	BEARING	2
3	PUMP SHAFT	1	15	OIL CUP	1
4	PEDESTAL HOUSING	1	16	END COVER	1
5	GLAND	1	17	STUD M8 x 18	10
6	PLUG	2	18	NUT M8	12
7	IMPELLER NUT	1	19	SPRING WASHER	4
8	SUCTION FLANGE	1	20	STUD M8 x 30	2
9	PLUG WASHER	2	21	BOLT	3
10	DISCHARGE ELBOW	1	22	KEY	1
11	GLAND PACKING	3	23	PEDESTAL GASKET	1
12	CHECK VALVE	1	24	ELBOW GASKET	1



#### TECHNICAL FEATURES

1. SELF PRIMING. No foot valve needed.
2. OPEN TYPE IMPELLER
3. SEALED BEARINGS
4. HEAVY DUTY - cast iron construction
5. ROTATION - Clockwise
6. OPTION: MECHANICAL SEAL

#### DISTRIBUTED BY: